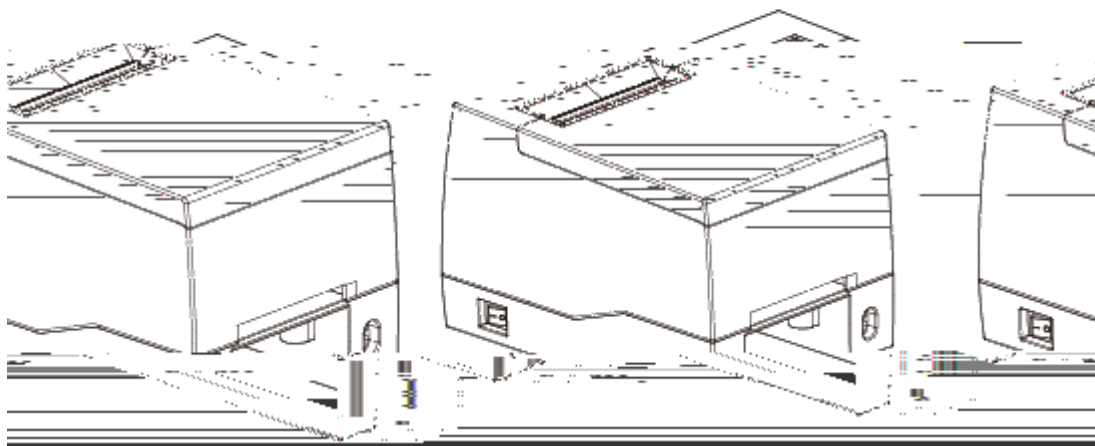

DL-886AW

DL-886BW



	1
	2
1	5
1.1	5
1.2	6
1.3	7
2	9
3	11
3.1	11
3.2	14
3.3	15
3.4	16
3.5	18
3.5.1	/	18
3.5.2	18
3.5.3	19
3.5.4	20
4	21
5	22
5.1	22
5.2	22
1:	23

1.



2.



1

2

3

4

5



1

2

3

4

5

6

•

•

•

•

•

•

•

•

•

3.



4.WEEE()

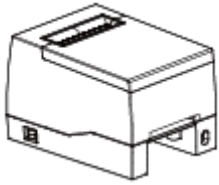
1

1.1

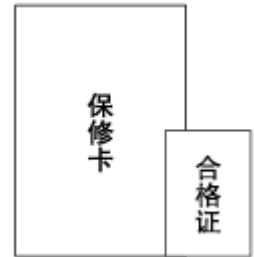
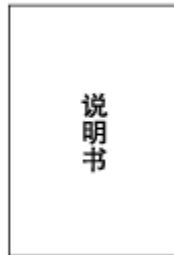


1

2



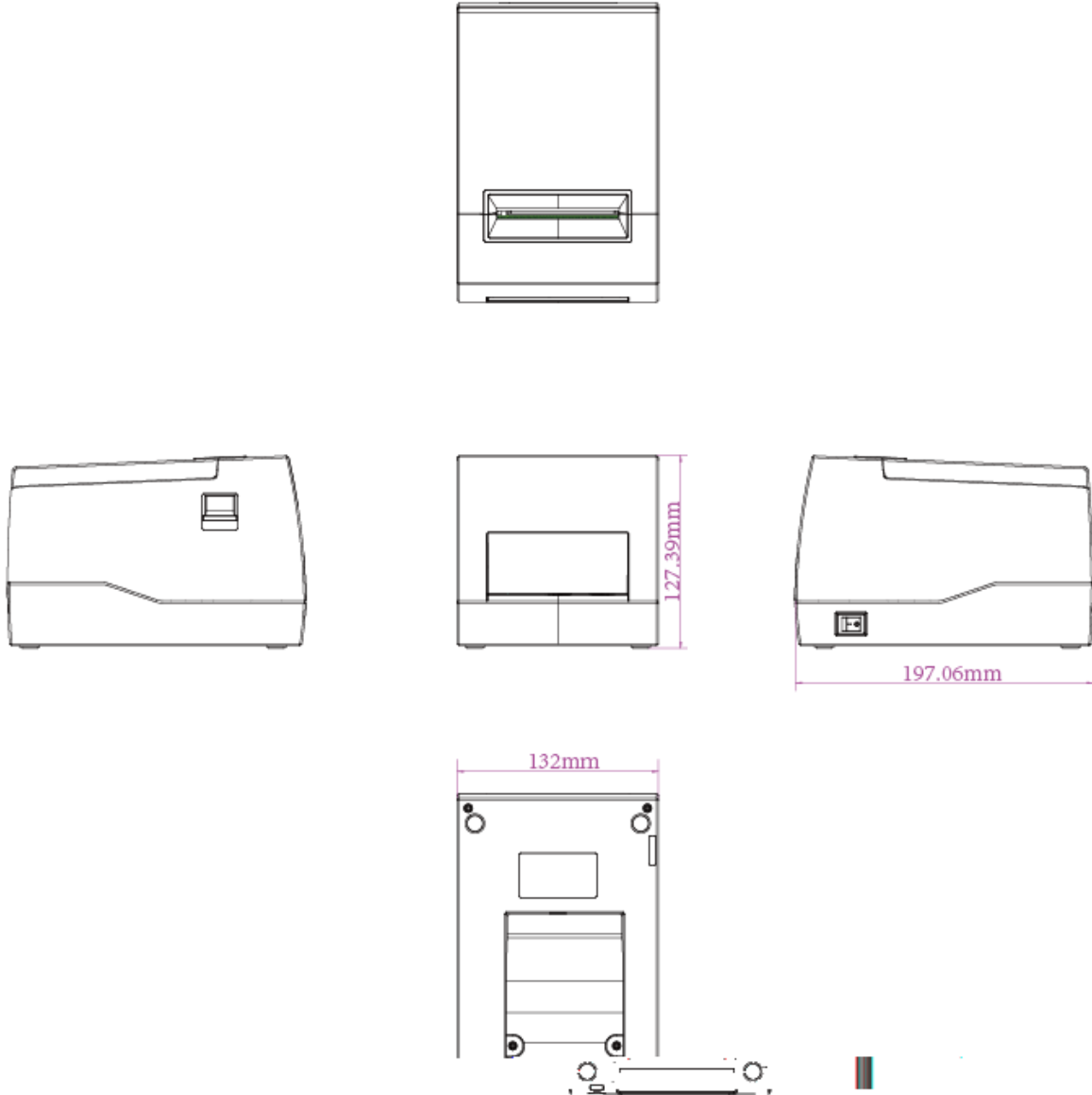
USB



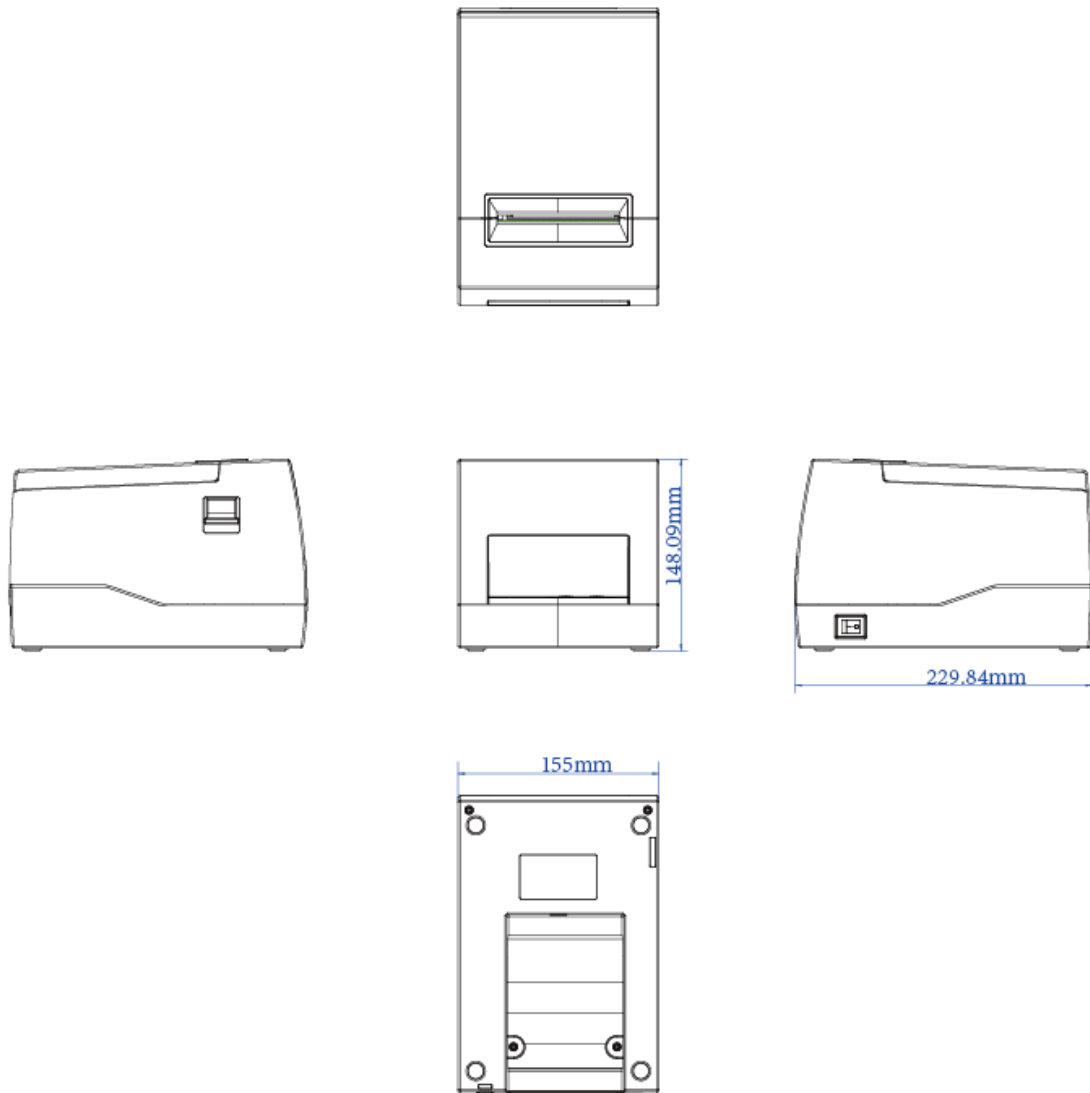
+

1.3

DL-886AW



DL-886BW



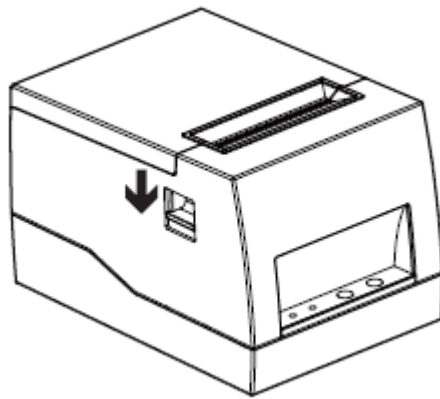
(2/2)

DL-886AW		DL-886BW	
		ASCII 8x16, 12x24 16x16, 24x24	
		DOS437 GB18030	
		Code 39, Code 93, EAN 8/13 (add on 2 & 5), UPC A/E	
		QR code	
		USB	
		100 ~240 50/60 0.6	
		12 2	
		41 - 104 (5 -40), 30% - 85%	
		-4 - 122 (-20 -50), 10% - 50%	
	(* *)	197.06()*132()*127.39()	229.84()*155()*148.09()
		805 ,	880 ,
		CCC	

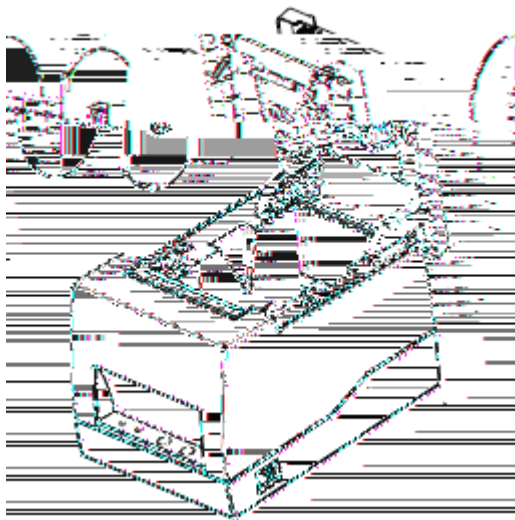
3

3.1

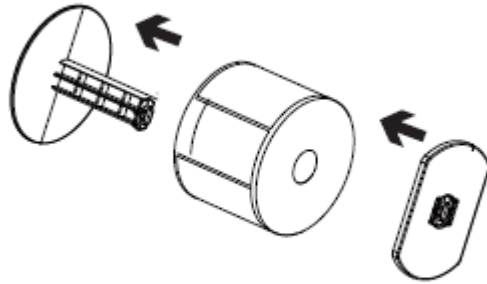
1.



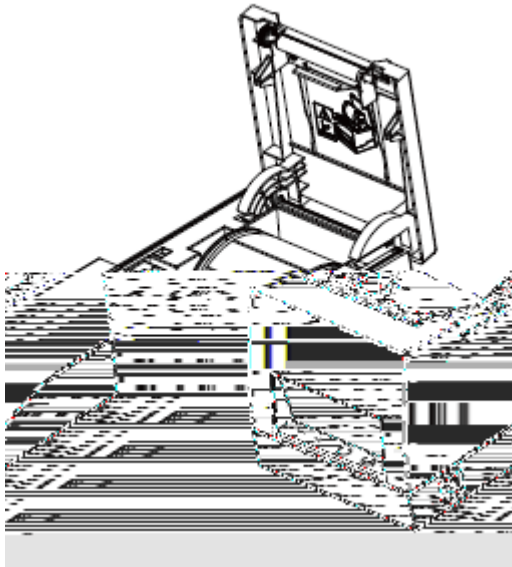
2.



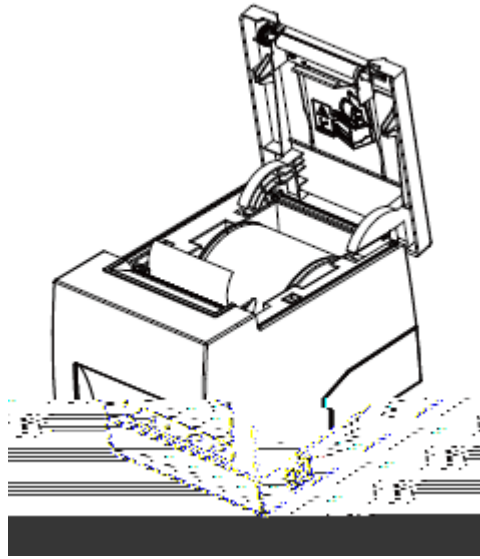
3.



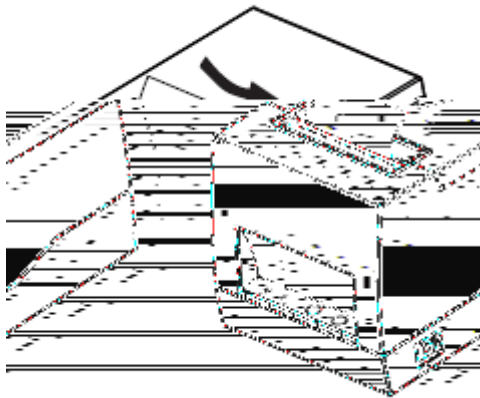
4.



5.



6.

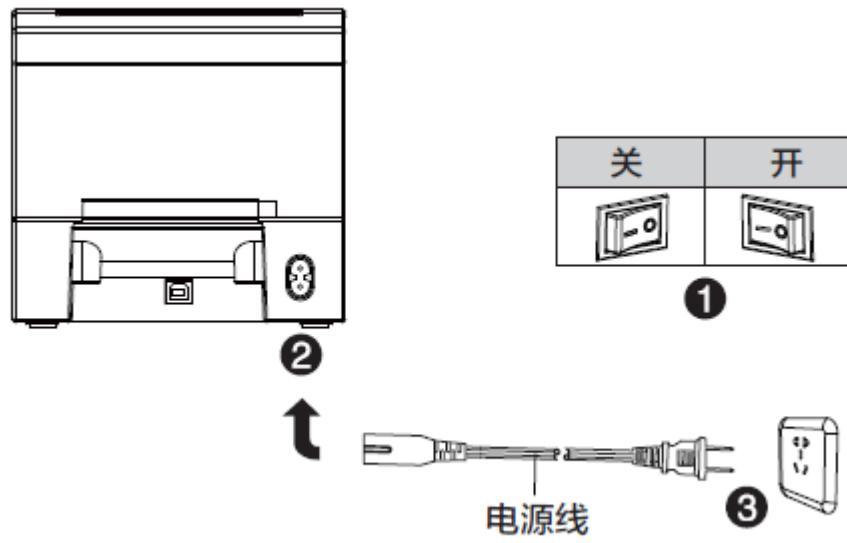


3.2

1. ○

2.

3.



•

•

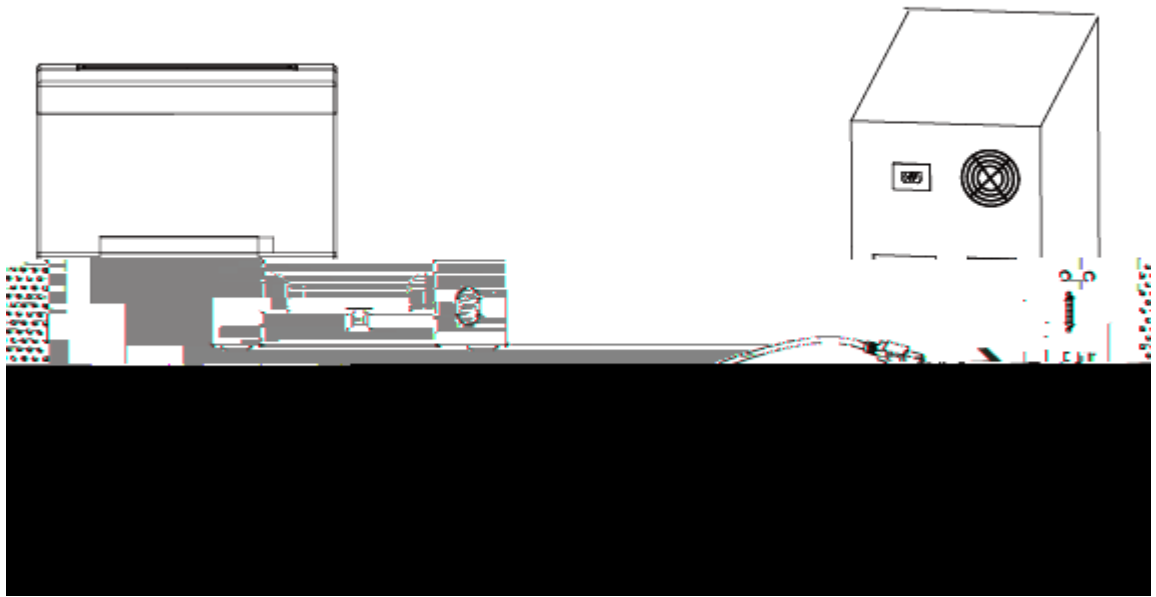
•

:

80mm

3.3

-- USB B-Type



1 (O)

2

-- USB USB B-Type

3.4

-
-
-
-



:

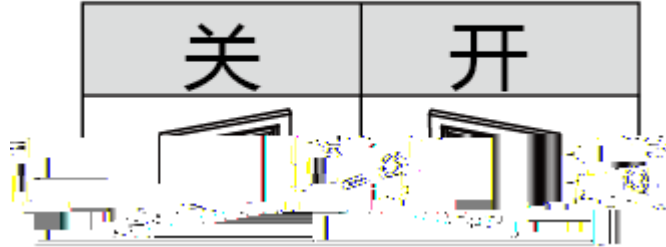
		X	X	
		X	X	
		X	X	
x	X			
				/ / /

3.5

3.5.1 /

" O "

" _ "



3.5.2

3.5.4

1.

-
-
-
-
-
-

2.

2

3



5



:

1

2

2~3

3

4

5.1

1

2

1 2

5.2

1

2

3

4

1 2



1:

1

--

Pb

Hg

Cd

Cr VI

PBB

PBDE

|