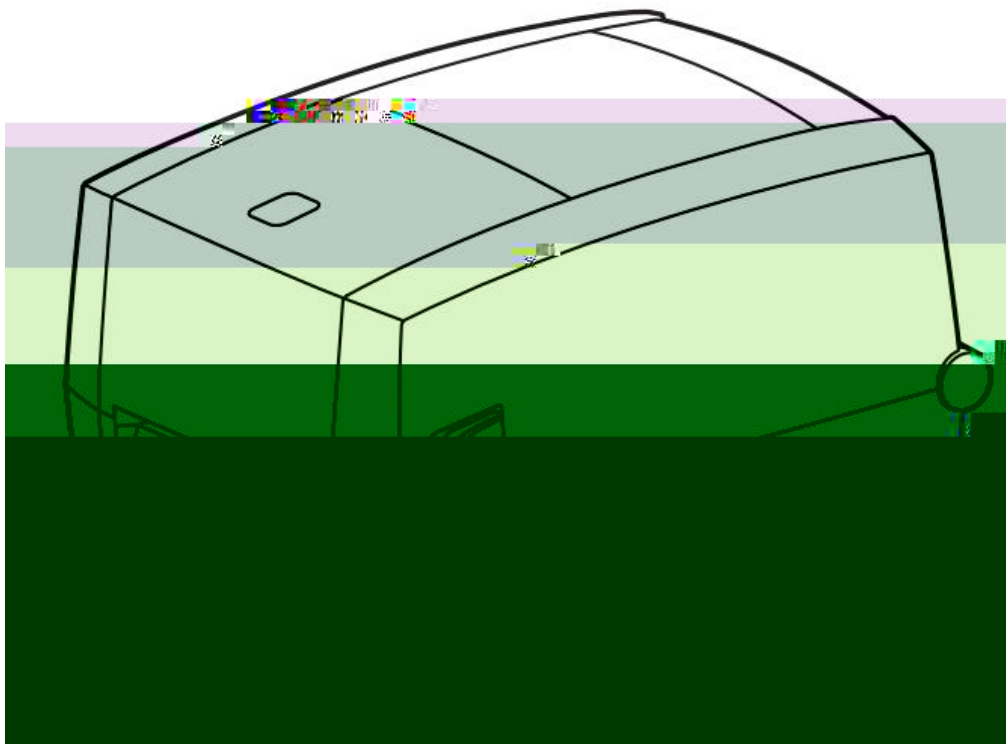

DL-888D NEW / DL-998D



| | | |
|-------|---|----|
| | | 1 |
| | | 2 |
| 1 | | 6 |
| 1.1 | | 6 |
| 1.2 | | 7 |
| 1.3 | | 8 |
| 2 | | 9 |
| 3 | | 11 |
| 3.1 | | 11 |
| 3.2 | | 14 |
| 3.3 | | 15 |
| 3.4 | | 16 |
| 3.5 | | 17 |
| 3.6 | | 19 |
| 3.6.1 | / | 19 |
| 3.6.2 | | 19 |
| 3.6.3 | | 20 |
| 3.6.4 | | 20 |
| 4 | | 21 |
| 5 | | 22 |
| 5.1 | | 22 |
| 5.2 | | 23 |





1

•

•

•

•

2

•

3

•

4

•

1.0

5

.

1.0





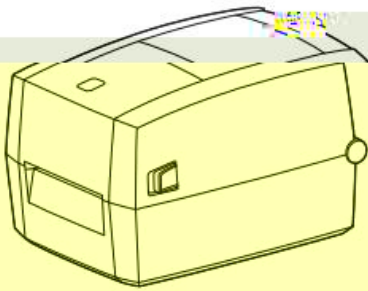
1

1.1

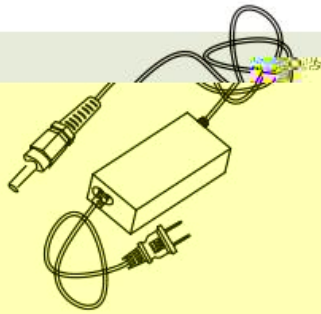


1

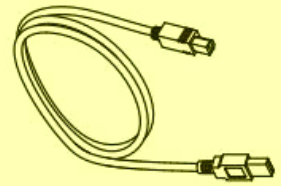
2



打印机



电源线



USB数据线



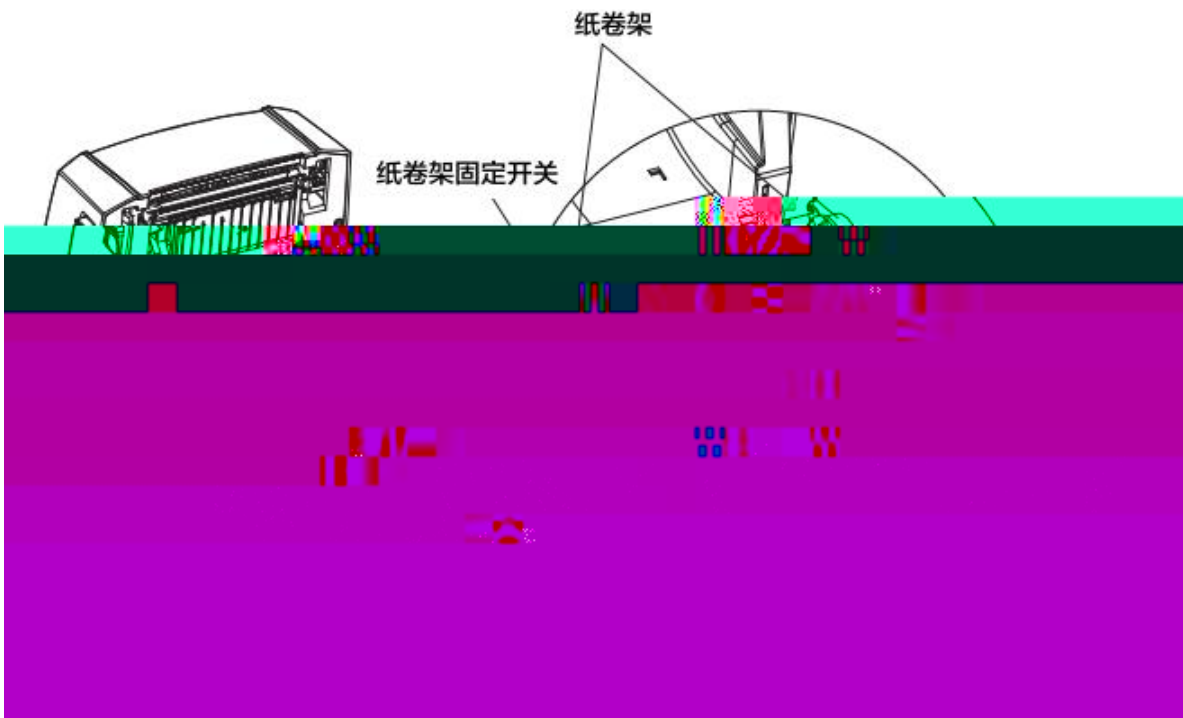
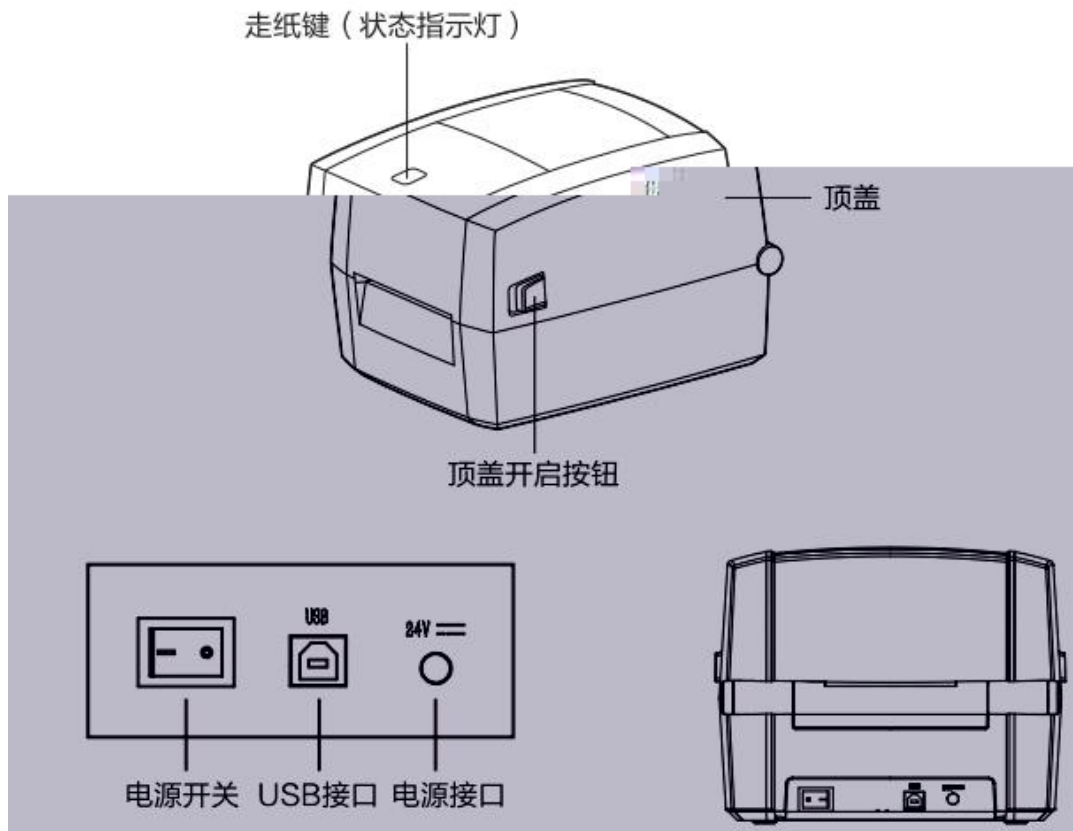
使用说明书



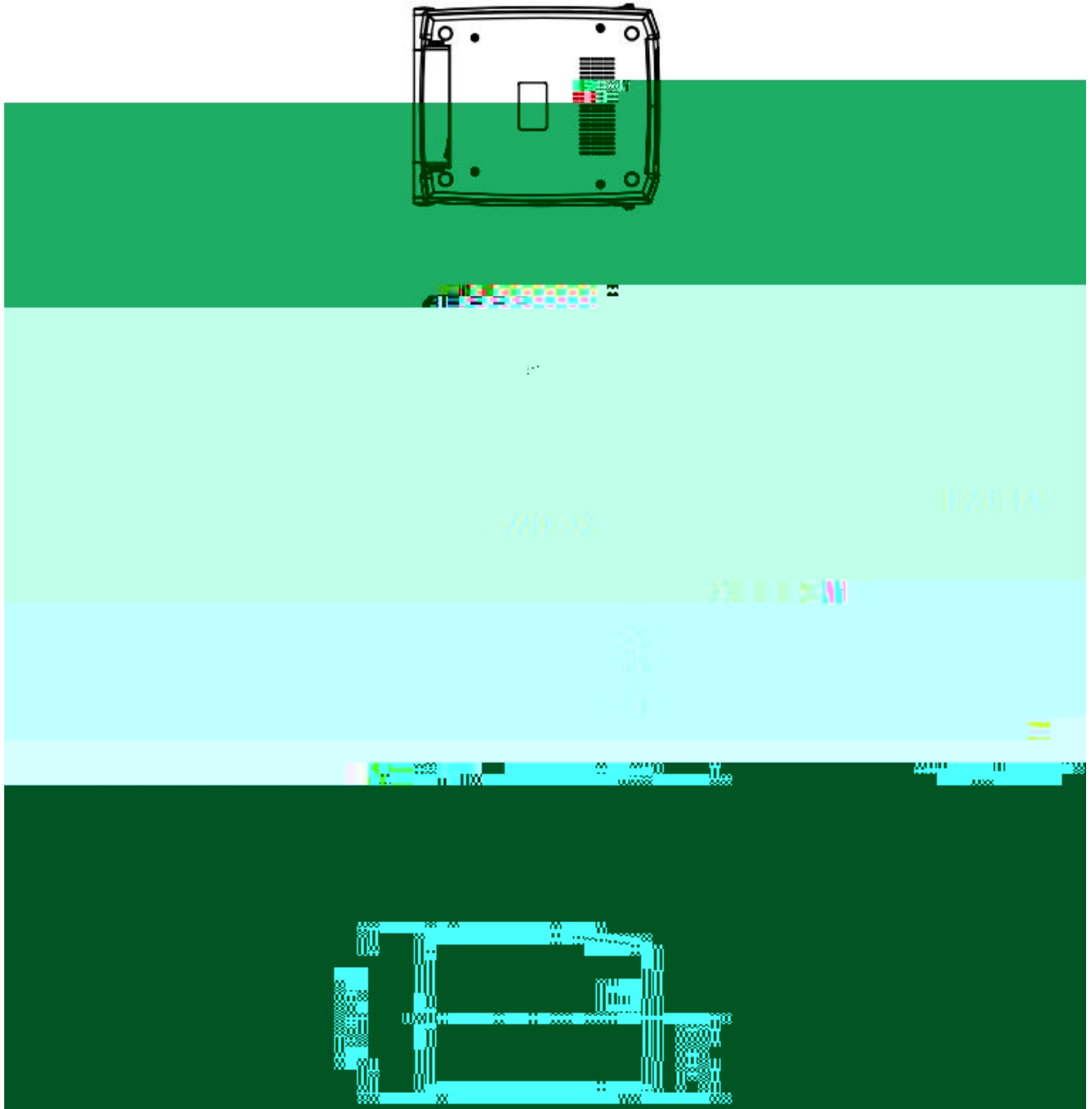
保修卡

1.2

件



1.3 产



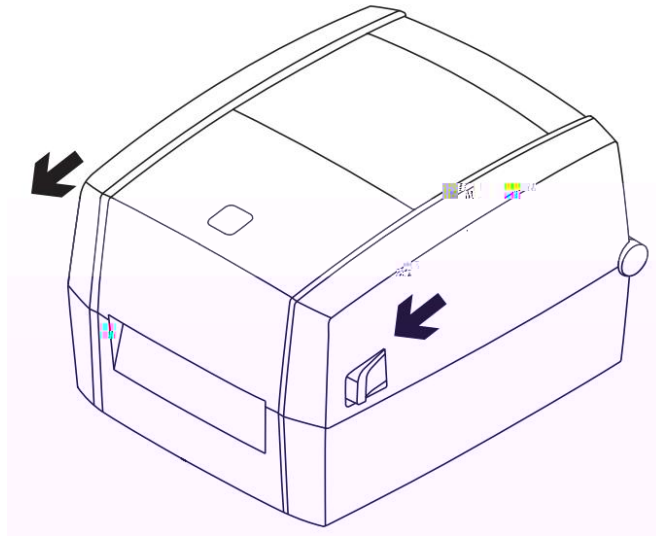
| | | 203 / (8 /) |
|--|-----|---|
| | | 150 / |
| | | 108 |
| | | 15 - 300 |
| | | 32 RISC CPU |
| | RAM | 4MB |
| | | 16MB |
| | | , |
| | | , |
| | | 38mm - 110mm |
| | | 0.003 (80) — 0.007 (180) |
| | | TSPL |
| | | Deli BarTender Ultralite 2016 |
| | | Windows7/Windows8/Windows10/WindowsXP |
| | | GB18030 16×16 24×24 32×32dots ASCII 8×16 12×24 16×32dots |

| | | |
|--|---------|---|
| | | Code 39, Code 93, Code 128UCC, Code 128 subset A, B, C, Codabar, Interleave 2 of 5, EAN-8, EAN-13, EAN-128, |
| | | QR Code PDF417 DataMatrix |
| | | USB |
| | | |
| | | 100-240 50/60 24 /2 |
| | | 41 (5)-104 (40) 30%-85%, |
| | | -4 (-20)-122 (50) 10%-90%, |
| | (* *) | 215.61*260.67*174.91 |
| | | 1.9kg, |
| | | |
| | | CCC |

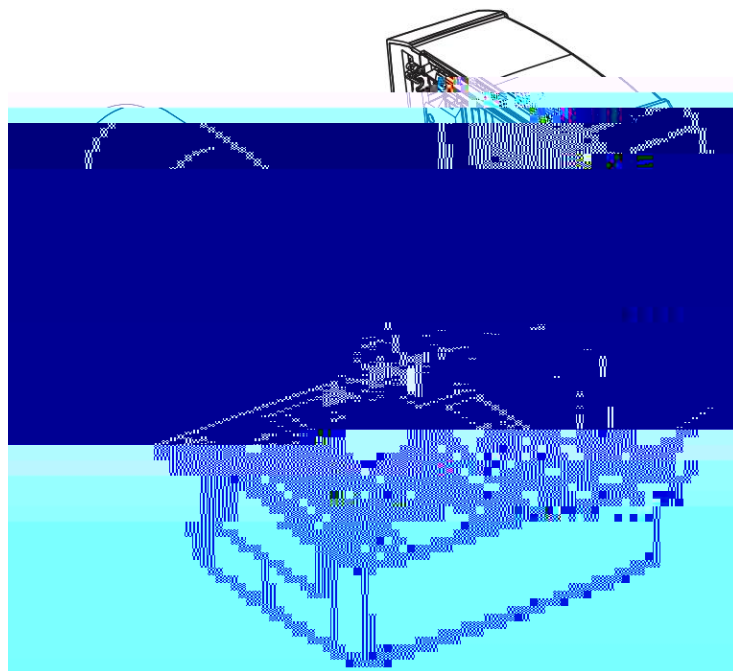
3

3.1 介

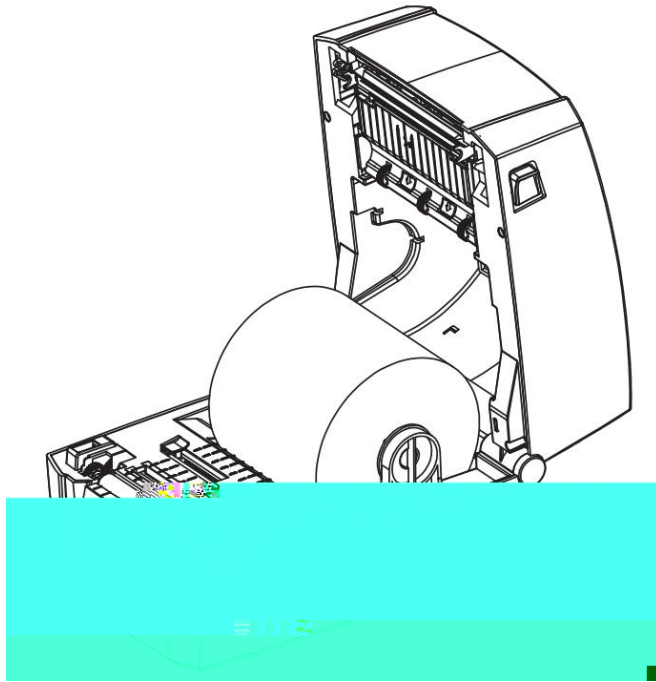
1.



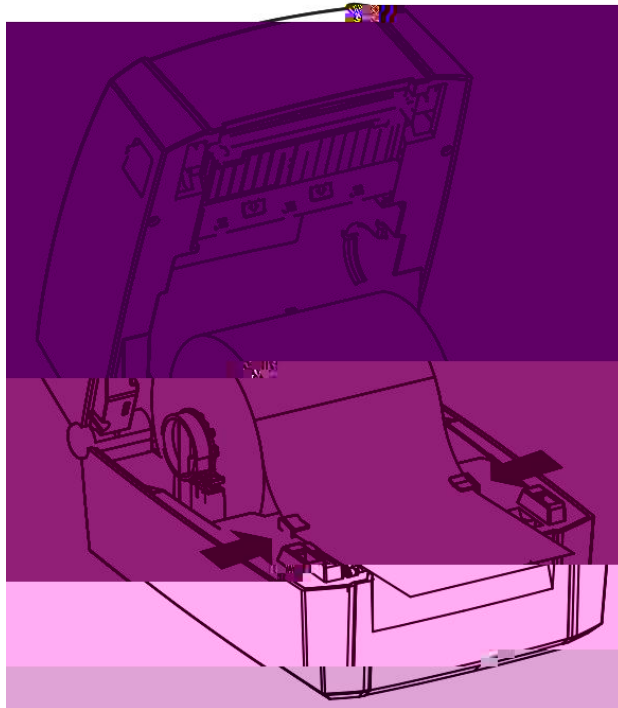
2.



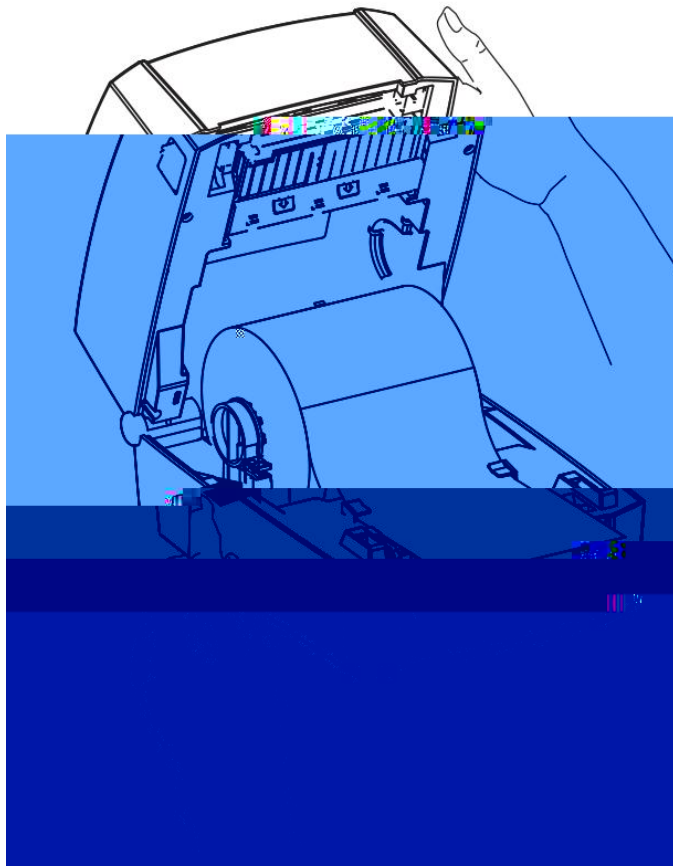
3.



4.



5.

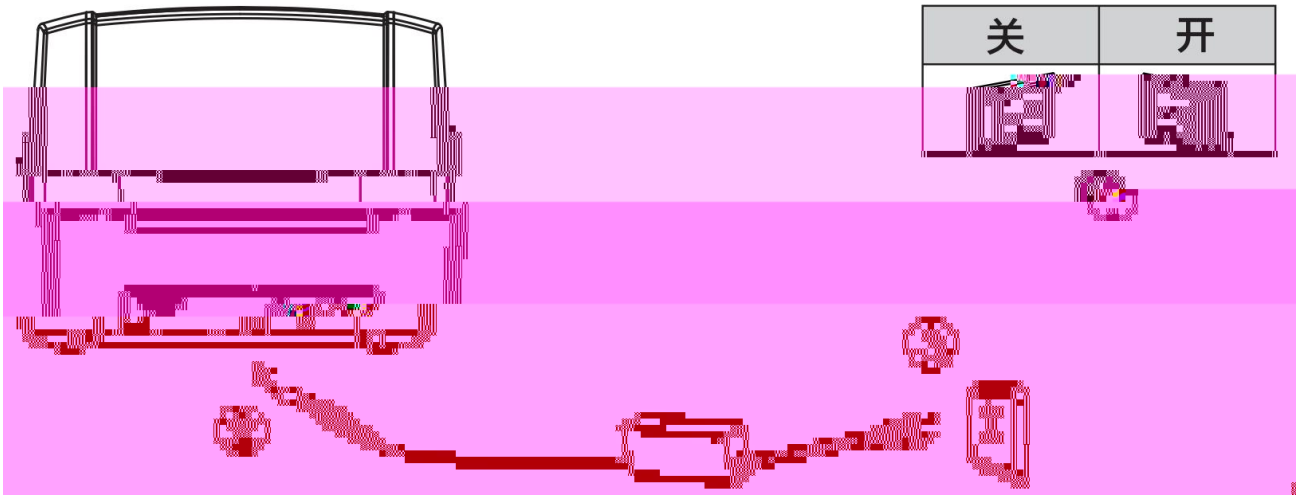


6.



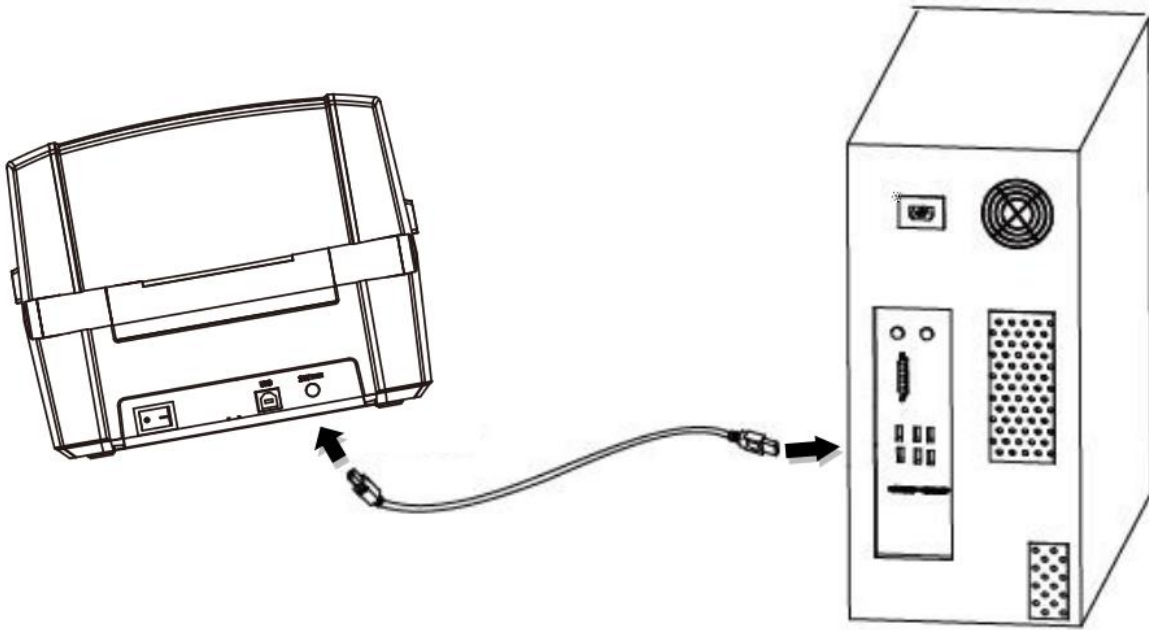
3.2

1. O
- 2.
- 3.
- 4.



3.3

--USB B-Type



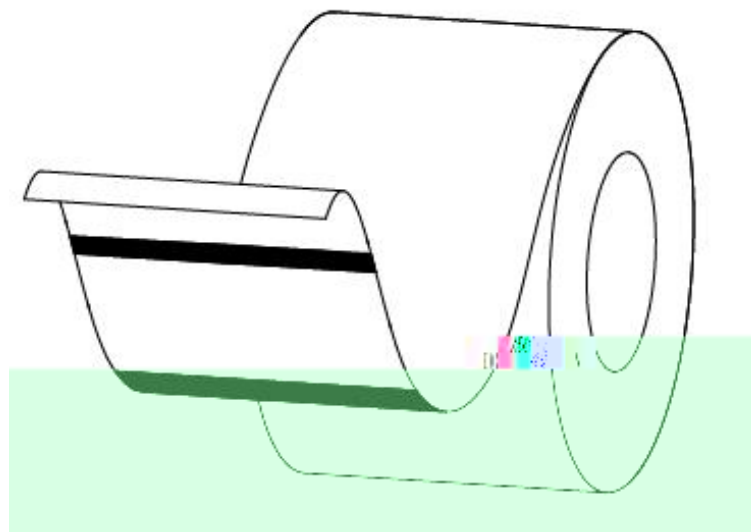
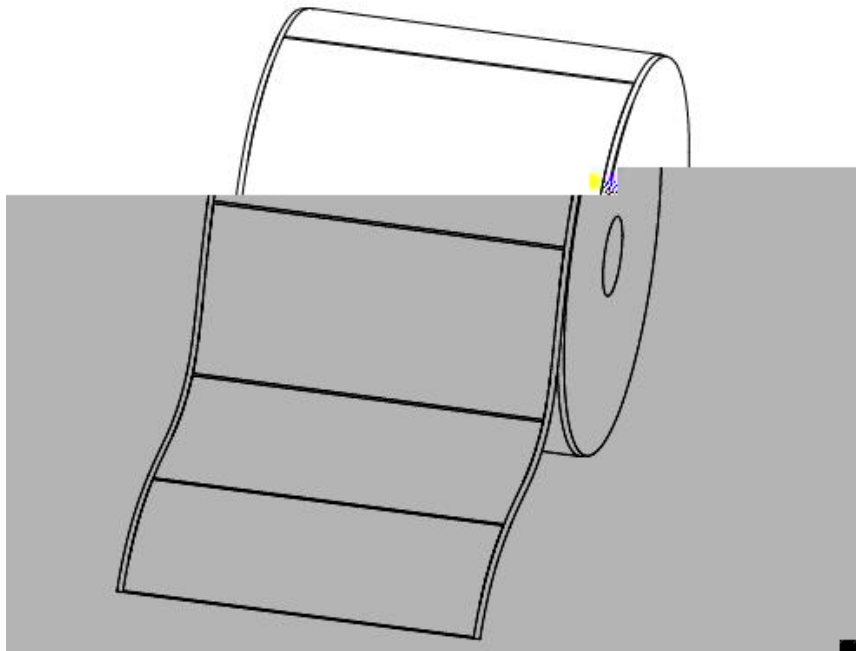
1 (O)

2

-- USB USB B-Type

3.4

DL-888D (NEW) / 998D



3.5 作

1.

2.

| | | |
|--|--|---------------|
| | | |
| | | |
| | | |
| | | |
| | | |
| | | |
| | | |
| | | |
| | | |
| | | |
| | | RAM |
| | | DC 21V 26V |

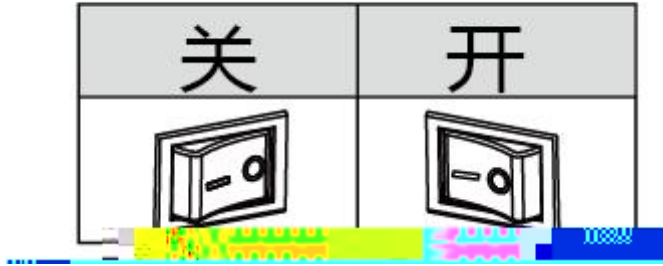


3.6



I

O



1.

1

2

3

" ~ "

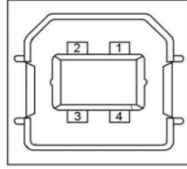
1.

2.

" "



80m m



5



5.1

5.2 传 、

